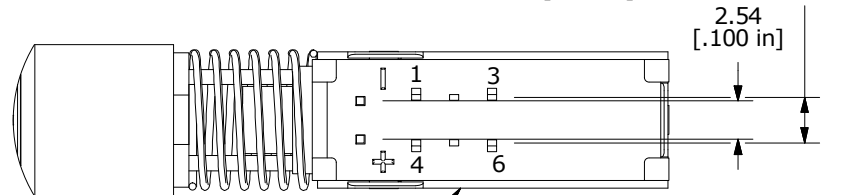
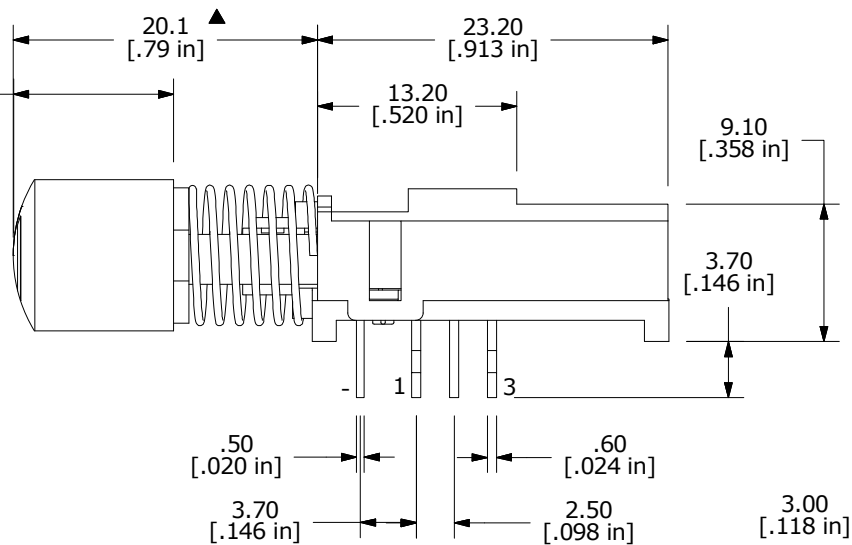
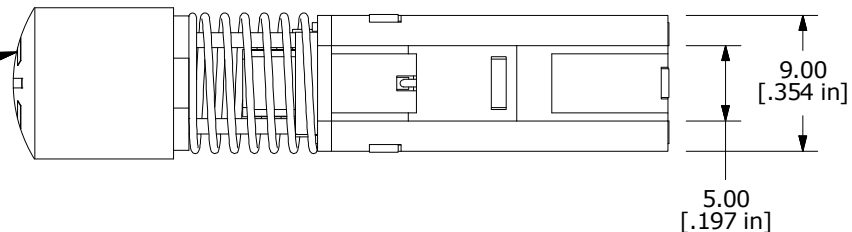
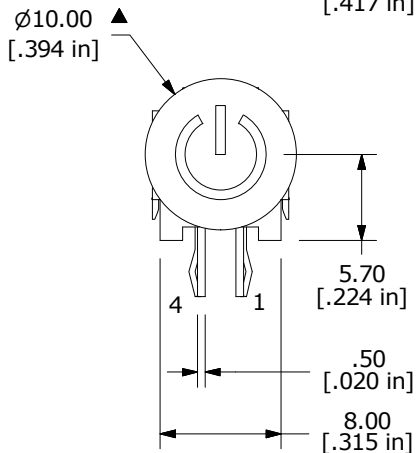
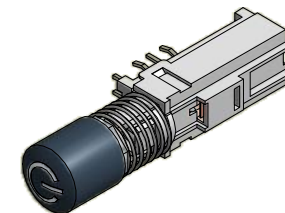


R05 BUTTON
BLACK, POWER SYMBOL
▲ (B410002)



▲ WBL2UEEGYQ
(B400010)



NOTES:

1. ALL DIMENSIONS IN MM [INCH]
2. GENERAL TOLERANCE: x.x=± 0.4mm
x.xx=± 0.25mm
3. RATING: DC 30V, 0.3A
- ▲ 4. OPERATING FORCE: 200± 100gf
- ▲ 5. TRAVEL: FULL: 3.3mm, LOCK: 2.5mm
6. LIFE CYCLES: 10,000 CYCLES
7. OPERATING TEMPERATURE: -20°C TO 70°C
8. CONTACT RESISTANCE: 20mΩ MAX.
9. INSULATION RESISTANCE: 100MΩ MIN@ 500VDC.
- ▲ 10. LED COLOR: GREEN - YELLOW BI-COLOR
11. ▲ DENOTES CRITICAL PARAMETER.
12. 2002/95/EC (RoHS) COMPLIANT.

LED SPECS	UNITS	GREEN	YELLOW
FORWARD CURRENT	mA	20	20
FORWARD VOLTAGE @20mA	V	2.1 Typ-2.5 Max	2.0 Typ - 2.5 Max
LUMINOUS INTENSITY @ 20mA	MCD	70 Typ	150 Typ



TITLE WBL2UEEGYQR05BLKPWR

A	21846	Release For Production	5/7/2015	MW
REV	PCR NO	DESCRIPTION	DATE	BY

SCALE	DATE	DR	DWG	REV
2:1	5/7/2015	MW	XB0947P	A

THE INFORMATION CONTAINED IN THIS DOCUMENT IS PROPRIETARY TO E-SWITCH AND IS NOT TO BE COPIED OR TRANSFERRED